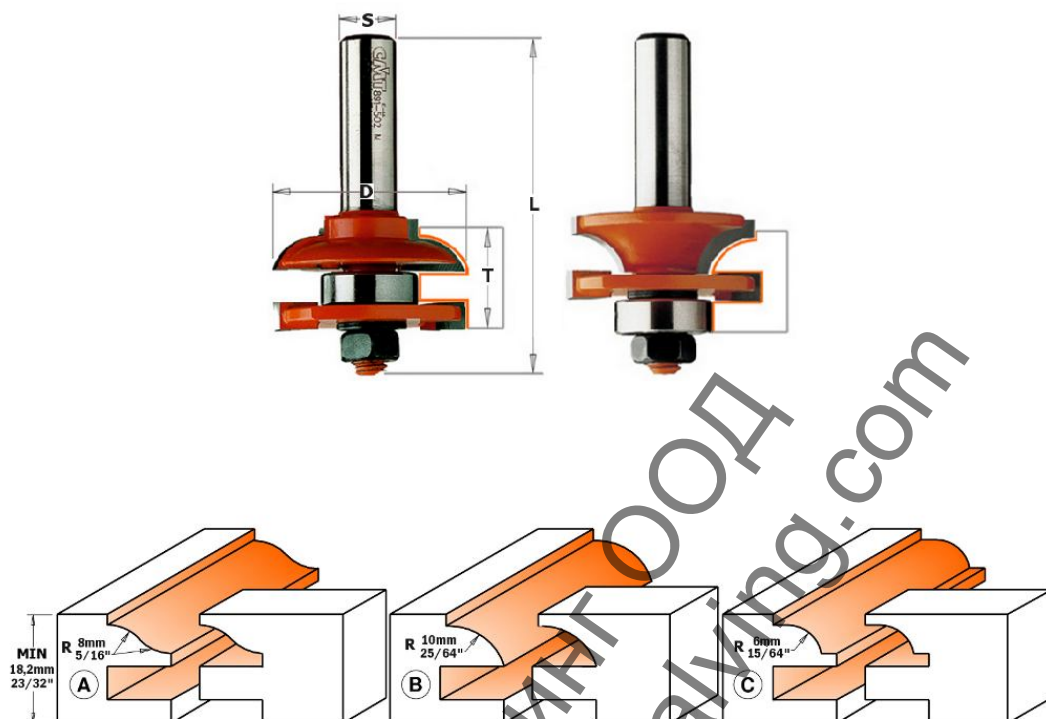


Rail & stile router bit sets



A well-constructed door will bear the mark of a perfect joint-clean, exact and well-crafted for strength. For this project, the CMT male-female rail and stile sets are the perfect pair. Made to our specifications they match exactly; not simply approximated like standard reversible cutters. Choose the style of CMT rail and stile set that best suits your needs and create smooth, perfect joints in hard and soft woods with accuracy and speed. Perfect for working in stock from 18mm (11/16") and 22mm (7/8").

<u>D</u>	<u>T</u>	<u>L</u>	<u>PR</u>	<u>S</u>	<u>Order No.</u>
44,42271	A	12			991.501.11
44,42271	A	12,7			891.501.11
44,42271	A	8			991.001.11
44,42271	B	12			991.502.11
44,42271	B	12,7			891.502.11
44,42271	C	12			991.503.11
44,42271	C	12,7			891.503.11